

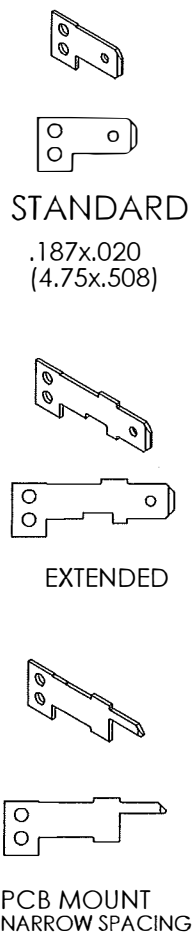
STANDARD SPECIFICATIONS	
Mechanical	
Body	Glass filled polyester
Diaphragm	Polyurethane
Terminals	Brass, Gold plated NEMA
Contacts	Phosphor bronze with gold contact area
Contact Form	SPST normally open
Life	100,000,000 cycles
Weight	approximately 10 grams
Functional	
Operating Position	Diaphragm vertical
Operating Temperature	-40°F to 140°F (-40°C to 60°C)

SET POINT RANGES IN H ₂ O (Pa) PRESSURE @ AMBIENT						
Ranges	Minimum		Maximum		Proof	
	in H ₂ O	Pa	in H ₂ O	Pa	in H ₂ O	kPa
Range A (N/O)	0.10	25	0.50	125	5	1.2
Range B	0.50	125	2	498	15	3.74
Range C	2	498	10	2.49k	70	17.4
Range D	10	2.49k	30	7.5k	250	62.3
Range E	30	7.5k	150	37.4k	550	137.9
Range F	150	37.4k	550	137.9k	690	172.4

SET POINT TOLERANCES IN H ₂ O (Pa)	
0.10 (25) to 0.15 (37)	+/-50%
0.16 (40) to 0.30 (75)	+/-30%
0.31 (77) to 10.0 (2.49K)	+/-20%
10.1 (2.5K) or GREATER	+/-10%
Electrical	
Initial Resistance	<500 milliohms
UL/CSA Ratings	3.15ma @ 125VAC
Additional Ratings	10-20ma @ 5-24VDC
Agency	
UL File #	E-70125
CSA File #	50215

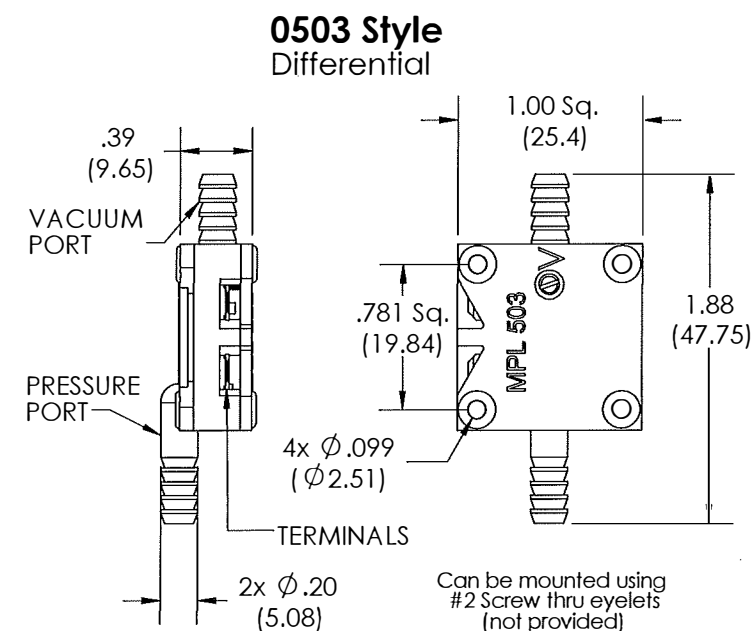
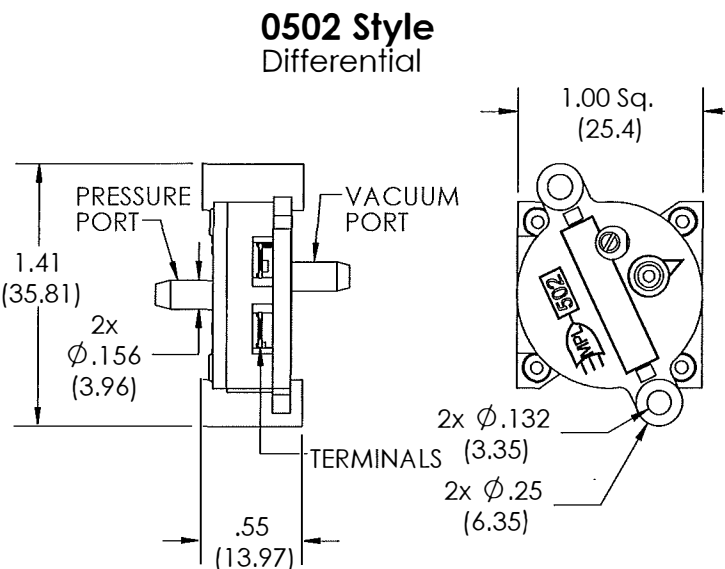
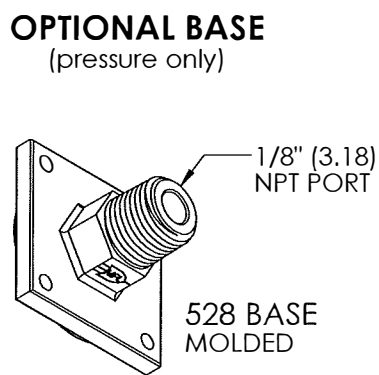
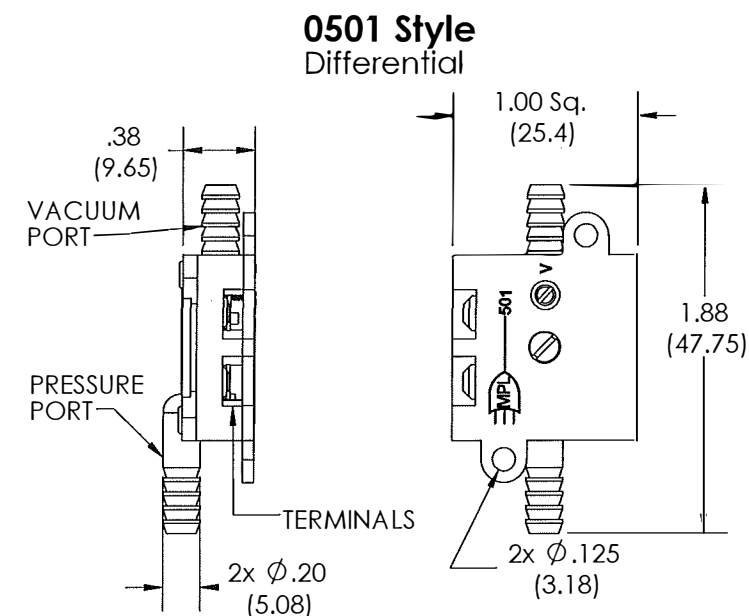
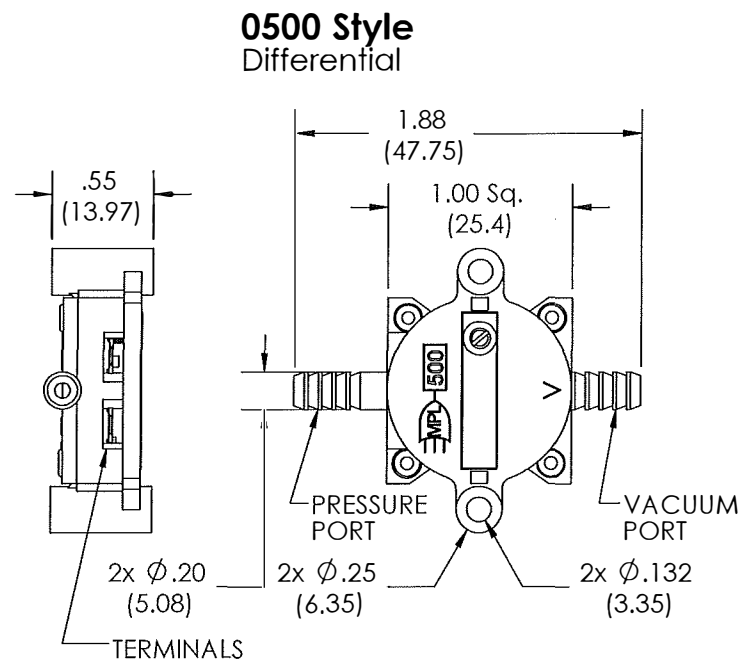
OPTIONS ARE AVAILABLE FOR SPECIFIC APPLICATIONS
 OPTIONS CAN AFFECT THE STANDARD SPECIFICATIONS

TERMINALS



FORMS

Differential: 2 Ports - can be used as Differential vacuum, or pressure
 Vacuum only:.... 1 port on housing
 Pressure only:.... 1 port on base



0500 SERIES SWITCHES




THIS DOCUMENT CONTAINS TRADE SECRET INFORMATION THAT IS PROPRIETARY TO MICRO PNEUMATIC LOGIC, INC. AND/OR TO OUR CUSTOMER. USE OF THIS INFORMATION OR THIS DOCUMENT BEYOND THE PREMISES OF MICRO PNEUMATIC LOGIC INC. IS UNLAWFUL AND PROHIBITED WITHOUT PRIOR WRITTEN AUTHORIZATION.

DIMENSIONS:
 INCHES (MILLIMETERS).
 TOLERANCES UNLESS OTHERWISE SPECIFIED:
 X= ---
 .XX= ±.030 (.76)
 .XXX= ±.015 (.38)
 .XXXX= ---
 ANGLES ± 2° SCALE: 1:1

INITIAL APPROVAL	DATE	REV	DATE	BY	CHK
DRWN A.Rodriguez	07/05/05	S1	11/02/15	AR	AM
ENGR S.Severson	07/25/05				
SALES D.Bracewell	07/25/05				
QUAL G.Hock	07/22/05				

CAD FILE: 0500SALES_S1.slddrw
 RELEASED: NOV 02 2015

 www.mic-tec.com	
DOCUMENT NUMBER	REV
0500SALES	S1
PRINTED COPIES UNCONTROLLED	1 of 1