

Bourdon tube pressure gauge
per EN 837-1, NS 63/NS 100 ECONOMIC
Type series BA51../BA52..ECO



Features

- Bourdon tube pressure gauge industrial design
- Nominal ranges -0.6...0 to -1...15 bar, 0...0.6 to 0...160 bar
- High quality case with bajonet ring NS 63 / NS 100 per EN 837-1
- Case and measuring element of stainless steel
- Degree of protection IP 65
- Accuracy class 1 respectively 1.6 per EN 837-1

Options

- Case with liquid filling

Application

The bourdon tube pressure gauge is suitable for measuring gaseous, liquid and aggressive media in areas with particular requirements.

Application area

- Machinery construction
- Chemical and petrochemical industry
- Water / wastewater
- Shipping

Technical data

Constructional design / case

Design:	High quality case with bajonet ring per EN 837-1, material: stainless steel mat.-no. 1.4301 (304), ventilation valve, material: PUR
Nominal size:	NS 63 or NS 100
Degree of protection per EN 60529:	<ul style="list-style-type: none">■ without filling: IP 65■ with filling: IP 65
Case filling:	Option: Glycerine-water Further liquid fillings upon request.
Window:	Non-splintering glass
Measuring element:	Bourdon tube
Movement:	Stainless steel segment
Scale:	Pure aluminium, with black inscription Optional with red marking, special scale upon request.
Pointer:	Pure aluminium, black, with adjusting unit.
Weight:	NS 63 <ul style="list-style-type: none">■ without filling: approx. 0.2 kg■ with filling: approx. 0.3 kg NS 100 <ul style="list-style-type: none">■ without filling: approx. 0.5 kg■ with filling: approx. 0.8 kg

Process connection

Design:	<u>NG 63:</u> Per EN 837-1, G1/4 B or 1/4" NPT, bottom or back centric connection
	<u>NG 100:</u> Per EN 837-1, G1/2 B or 1/2" NPT, bottom connection

Material wetted parts

Measuring element :	Bourdon tube and pressure connection stainless steel AISI 316 ss
---------------------	--

Nominal range

See order details, further ranges upon request

Overload protection:	At steady pressure max. scale value
----------------------	-------------------------------------

Accuracy

Accuracy class:	Per EN 837-1
	NS 63: class 1.6
	NS 100: class 1.0
Temperature influence:	Max. $\pm 0.4\%$ / 10K of measuring span per EN 837-1

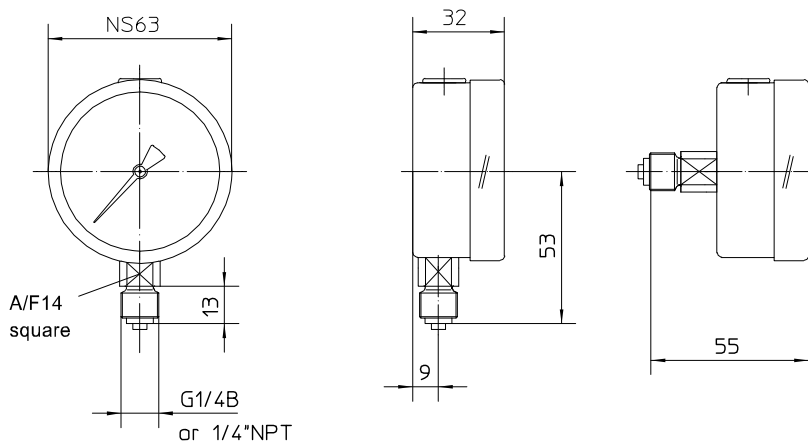
Temperature ranges

	without filling	with filling
Ambient:	-40...60 °C	-20...60 °C
Media:	-20...200 °C	-20...100 °C
Storage:	-20...60 °C	-20...60 °C

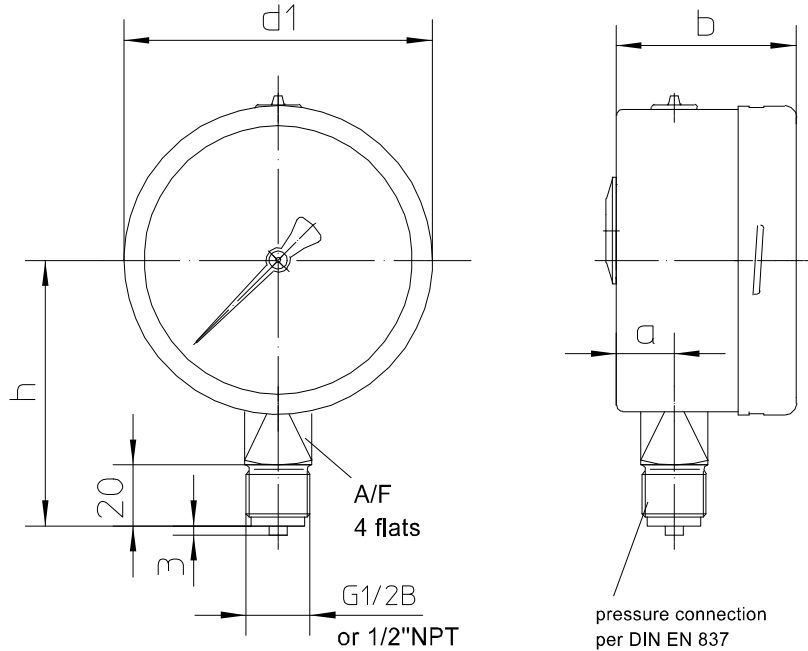
Extended temperature range upon request

Dimensions

case NS 63:



case NS 100:



dimensions (mm)					
case	d1	a	b	h	A/F
NS 100	101	16,0	49	84	22

Order details

Bourdon tube pressure gauge per EN 837-1, NS 63 / NS 100 Type series BA51../BA 52.. ECO

Order details BA51../BA 52..ECO			
BA5100 ECO	case design NS 63 degree of protection IP 65	without case filling	process connection bottom
BA5170 ECO			process connection at back, centric
BA5120 ECO		with case filling	process connection bottom
BA5180 ECO			process connection at back, centric
BA5200 ECO	case design NS 100 degree of protection IP 65	without case filling	process connection bottom
BA5220 ECO		with case filling	process connection bottom
A2...	process connection	G1/2 B ¹	
A3...		G1/4 B ²	
B2...		1/2" NPT ¹	
B3...		1/4" NPT ²	
085	nominal range [bar]	-0.6...0 ¹	
086		-1...0 ¹	
087		-1...0.6 ¹	
088		-1...1.5	
089		-1...3	
090		-1...5	
091		-1...9	
092		-1...15	
052		0...0.6 ¹	
053		0...1.0 ¹	
054		0...1.6 ¹	
055		0...2.5	
056		0...4	
057		0...6	
058		0...10	
059		0...16	
060		0...25	
061		0...40	
062		0...60	
063		0...100	
064	0...160		

Order code (example): BA5100 – A3056 - ..

¹ for NS 100 only

¹ for NS 63 only